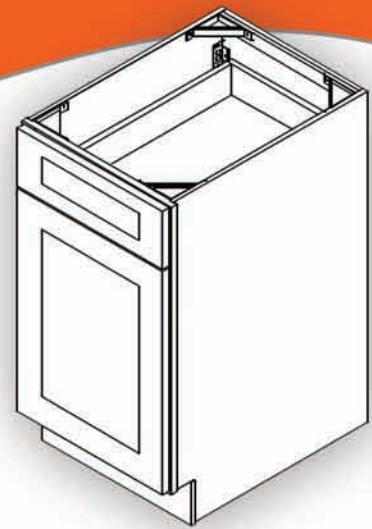


Base Cabinet 1 Door, 1 Drawer

Step-by-Step Assembly Instructions



Code	Item	Qty
A	R/L SIDE PANEL	2
D	BOTTOM PANEL	1
G	SHELF	1
H	BACK PANEL	1
J	TOE KICK PLATE	1
K	DRAWER GLIDE	2
M	FRONT FACE	1
N	DRAWER HEAD	1
S	SUPPORT BRACKET	4
T	REAR SLIDE BRACKET	2
U	PLASTIC SHELF CLIPS	4
V	DRAWER BOX	1

**-Easy Assembly-
Metal Clip System
-Easy Assembly-**

- Align clips **1** and **2**
- Slide **1** into **2**
- Insert locking screw into clip pair
- Tighten all screws

Step 1

- Lay H flat; grooves facing upward
- Insert A into metal clips of H (refer to Metal Clip System)

Step 2

- Slide D into grooves of A and H

Step 3

- Attach M onto D and A (refer to Metal Clip System)
- Attach J onto bottom front of A using the Metal Clip System

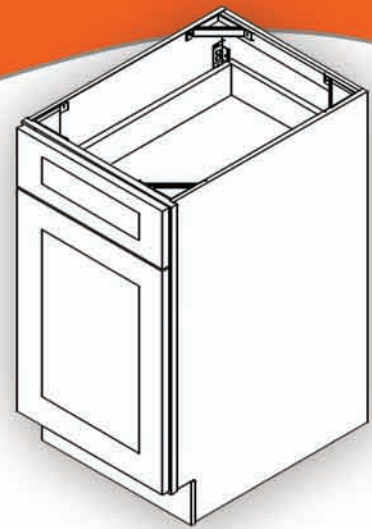
Step 4

- Place and screw S (plastic brackets) into corners of M, A, and H

Flip this page for steps 5-8 →

Base Cabinet 1 Door, 1 Drawer

Step-by-Step Assembly Instructions



Code	Item	Qty
A	R/L SIDE PANEL	2
D	BOTTOM PANEL	1
G	SHELF	1
H	BACK PANEL	1
J	TOE KICK PLATE	1
K	DRAWER GLIDE	2
M	FRONT FACE	1
N	DRAWER HEAD	1
S	SUPPORT BRACKET	4
T	REAR SLIDE BRACKET	2
U	PLASTIC SHELF CLIPS	4
V	DRAWER BOX	1

**-Easy Assembly-
Metal Clip
System
-Easy Assembly-**

- Align clips **1** and **2**
- Slide **1** into **2**

- Insert locking screw into clip pair
- Tighten all screws

Step 5

- Screw both rear brackets (T) into the pre-drilled holes in H so that angle faces upward
- Install K by sliding into T and screwing into side of M

Step 6

- Screw the drawer head (N) onto the drawer box (V) through the pre-drilled holes

end result

Step 7

- Position drawer box over drawer glides
- Slide drawer glides into clips so that they click and attach, then close drawer

Step 8

- Insert shelf clips (U) into the pre-drilled holes on M
- Slide shelf (G) making sure the front edge faces out

Flip this page for steps 1-4 ➔