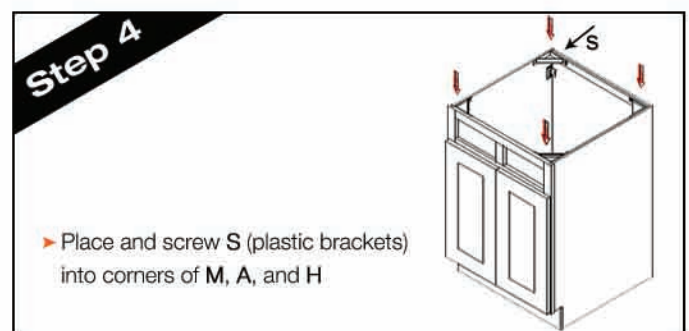
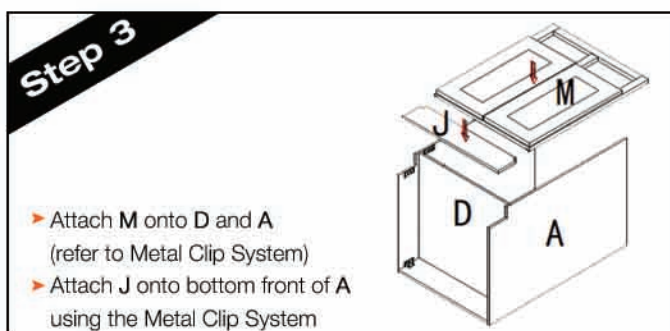
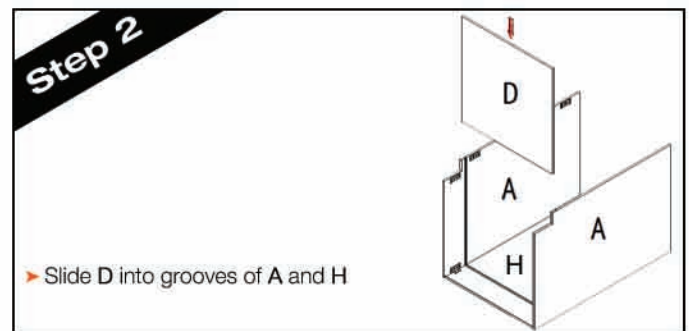
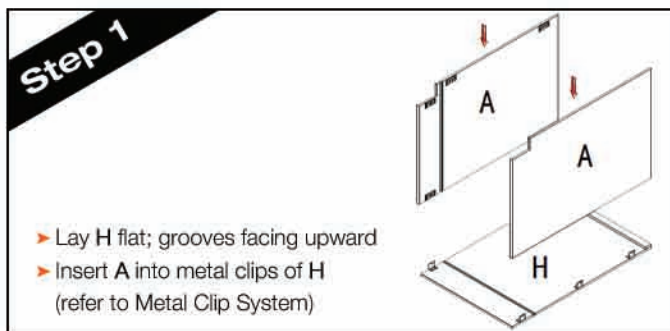


Base Cabinet 2 Doors, 2 Drawers

Step-by-Step Assembly Instructions



Code	Item	Qty
A	R/L SIDE PANEL	2
D	BOTTOM PANEL	1
G	SHELF	1
H	BACK PANEL	1
J	TOE KICK PLATE	1
K	DRAWER GLIDE	4
M	FRONT FACE	1
N	DRAWER HEAD	2
S	SUPPORT BRACKET	4
T	REAR SLIDE BRACKET	4
U	PLASTIC SHELF CLIPS	4
V	DRAWER BOX	2



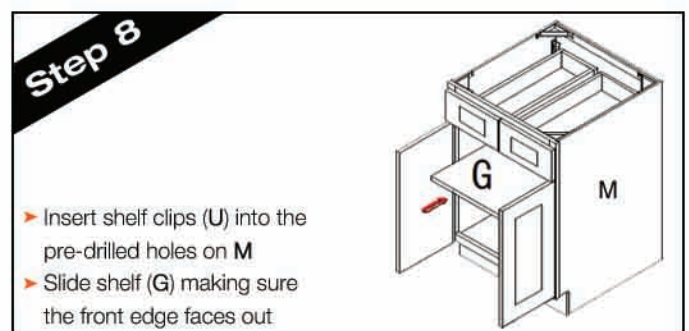
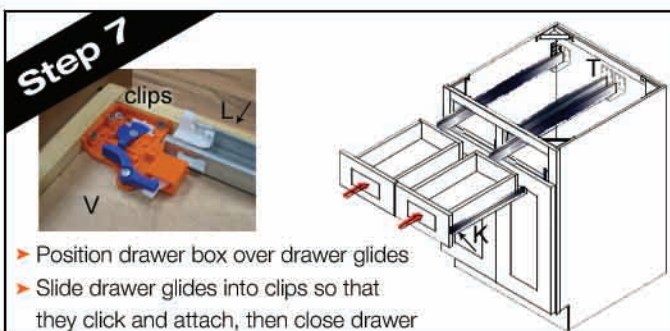
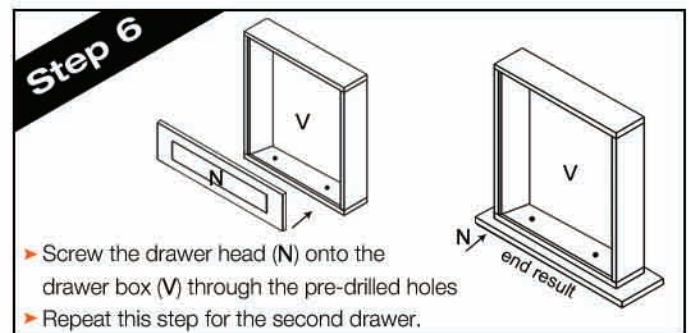
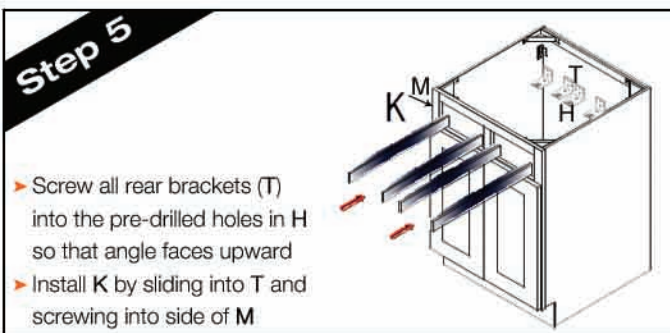
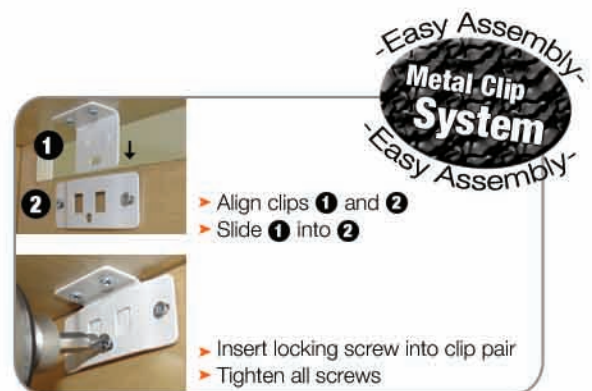
Flip this page for steps 5-8 →

Base Cabinet 2 Doors, 2 Drawers

Step-by-Step Assembly Instructions



Code	Item	Qty
A	R/L SIDE PANEL	2
D	BOTTOM PANEL	1
G	SHELF	1
H	BACK PANEL	1
J	TOE KICK PLATE	1
K	DRAWER GLIDE	4
M	FRONT FACE	1
N	DRAWER HEAD	2
S	SUPPORT BRACKET	4
T	REAR SLIDE BRACKET	4
U	PLASTIC SHELF CLIPS	4
V	DRAWER BOX	2



Flip this page for steps 1-4 →