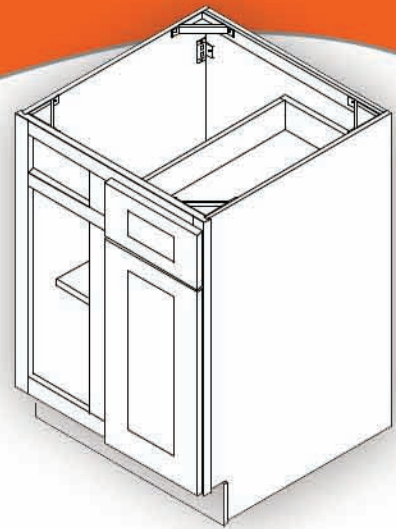


Blind Base Cabinet

Step-by-Step Assembly Instructions



Code	Item	Qty
A	R/L SIDE PANEL	2
D	BOTTOM PANEL	1
G	SHELF	1
H	BACK PANEL	1
J	TOE KICK PLATE	1
K	DRAWER GLIDE	2
M	FRONT FACE	1
N	DRAWER HEAD	1
S	SUPPORT BRACKET	4
T	REAR SLIDE BRACKET	2
U	PLASTIC SHELF CLIPS	4
V	DRAWER BOX	1

**-Easy Assembly-
Metal Clip
System
-Easy Assembly-**

- ▶ Align clips **1** and **2**
- ▶ Slide **1** into **2**

- ▶ Insert locking screw into clip pair
- ▶ Tighten all screws

Step 1

- ▶ Lay H flat; grooves facing upward
- ▶ Insert A into metal clips of H (refer to Metal Clip System)

Step 2

- ▶ Slide D into grooves of A and H

Step 3

- ▶ Attach M onto D and A (refer to Metal Clip System)
- ▶ Attach J onto bottom front of A using the Metal Clip System

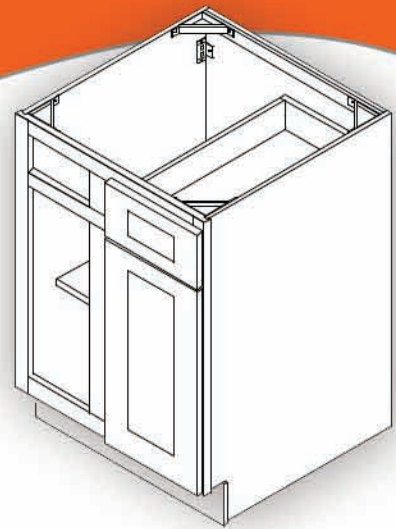
Step 4

- ▶ Place and screw S (plastic brackets) into corners of M, A, and H

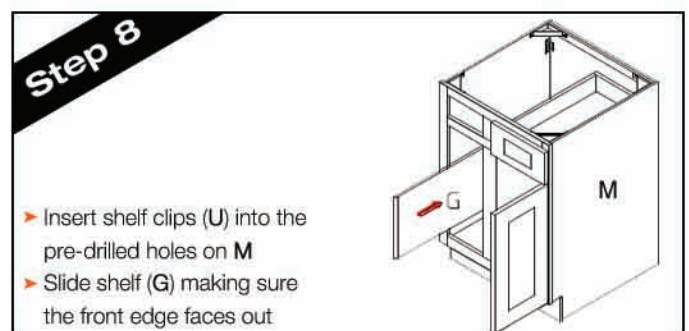
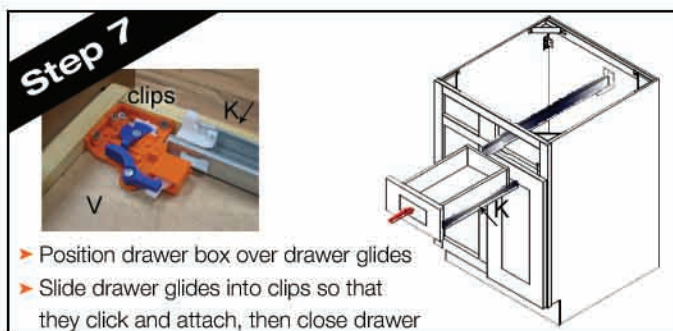
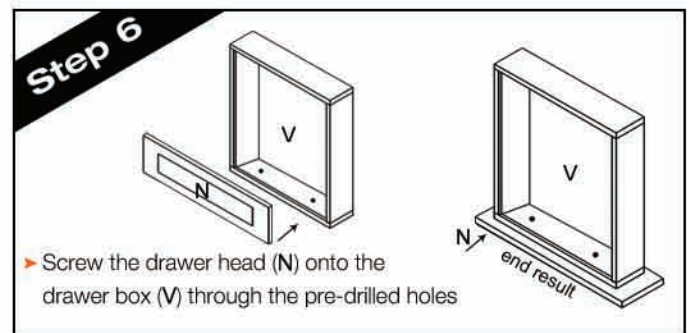
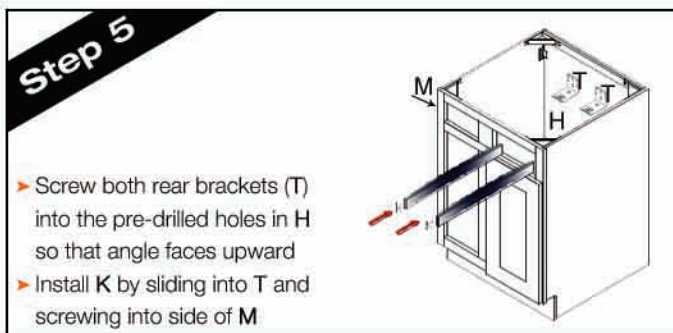
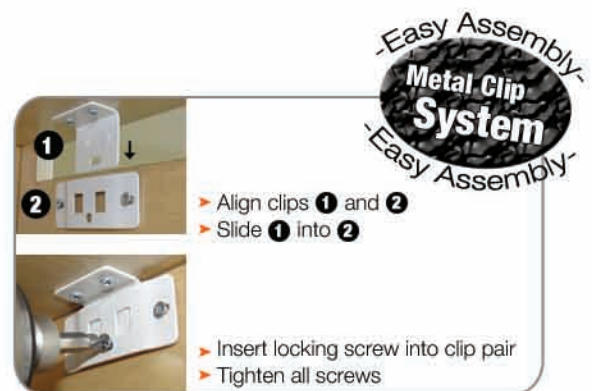
Flip this page for steps 5-8 →

Blind Base Cabinet

Step-by-Step Assembly Instructions



Code	Item	Qty
A	R/L SIDE PANEL	2
D	BOTTOM PANEL	1
G	SHELF	1
H	BACK PANEL	1
J	TOE KICK PLATE	1
K	DRAWER GLIDE	2
M	FRONT FACE	1
N	DRAWER HEAD	1
S	SUPPORT BRACKET	4
T	REAR SLIDE BRACKET	2
U	PLASTIC SHELF CLIPS	4
V	DRAWER BOX	1



Flip this page for steps 1-4 →