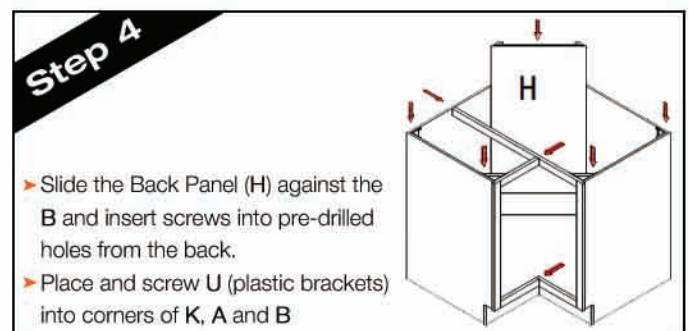
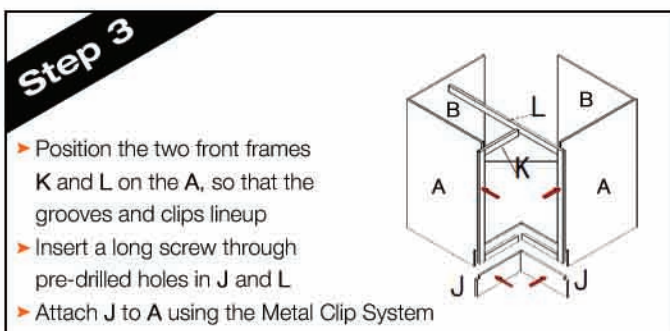
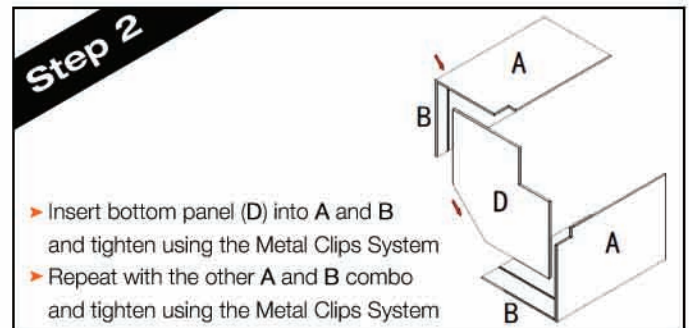
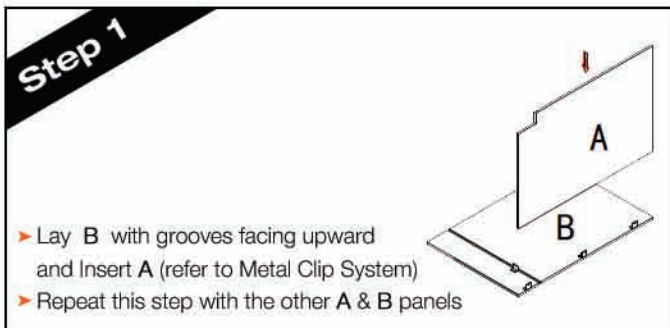
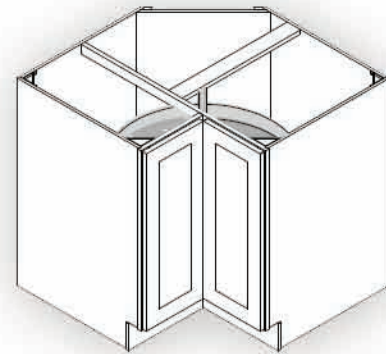


# Lazy Susan

## Step-by-Step Assembly Instructions

Code	Item	Qty
A	RIGHT/LEFT SIDE PANEL	2
B	RIGHT/LEFT BACK PANEL	2
D	BOTTOM PANEL	1
H	BACK PANEL	1
I	KNUCKLE HINGES	2
J	TOE KICK PLATE	2
K/L	FRONT FACE	2
M	FRONT DOORS	2
N	STRENGTEN STILE	2
O	WALL FAME HINGES	2
P	TOP SPIN POLE	1
Q	BOTTOM SPIN POLE	1
R	SPIN BASKET	2
S	LOCKING PIN	2
T	POLE GASKET	2
U	PLATIC BRACKETS	4



Flip this page for steps 5-9 →

# Lazy Susan

## Step-by-Step Assembly Instructions



Code	Item	Qty
A	RIGHT/LEFT SIDE PANEL	2
B	RIGHT/LEFT BACK PANEL	2
D	BOTTOM PANEL	1
H	BACK PANEL	1
I	KNUCKLE HINGES	2
J	TOE KICK PLATE	2
K/L	FRONT FACE	2
M	FRONT DOORS	2
N	STRENGTHEN STILE	2
O	WALL FAME HINGES	2
P	TOP SPIN POLE	1
Q	BOTTOM SPIN POLE	1
R	SPIN BASKET	2
S	LOCKING PIN	2
T	POLE GASKET	2
U	PLATIC BRACKETS	4

**Step 5a** Lazy Susan spinner unit assembly

➤ Insert locking pin (S) into the bottom pole (Q) to set the height of the first basket (R). Slide pole gasket (T) onto locking pin as shown.

**Step 5b** Lazy Susan spinner unit assembly

➤ Slide spin basket (R) onto bottom spin pole (Q) and into T  
 ➤ Repeat steps 1-2 to attach second spin tray  
 ➤ Insert top spin pole (P) and snap into bottom pole (Q)

**Step 6**

➤ Insert spinner unit into cabinets and screw into pre-drilled holes in D

**Step 7**

➤ Position strength stile (N) between L and B and attach with screws  
 ➤ Secure spinner to strengthen N

**Step 8**

➤ Insert frame hinge (O) into the pre-drilled hinge holes of the cabinet doors and fasten all the screws

**Step 9**

➤ Attach the assembled doors onto the frame using long screws into pre-drilled holes.

Flip this page for steps 1-4 ➔