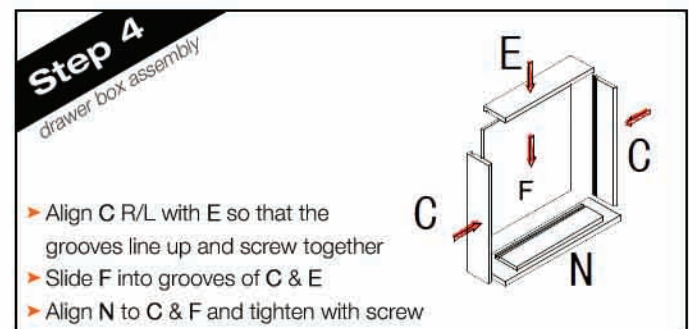
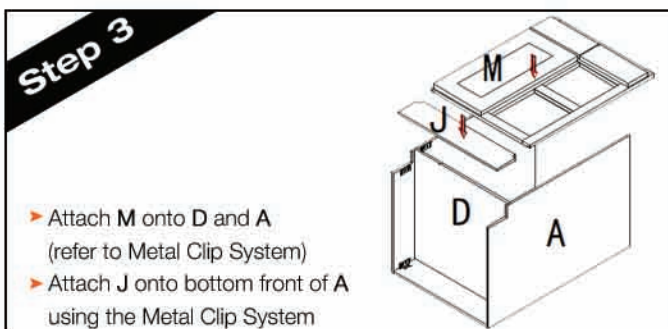
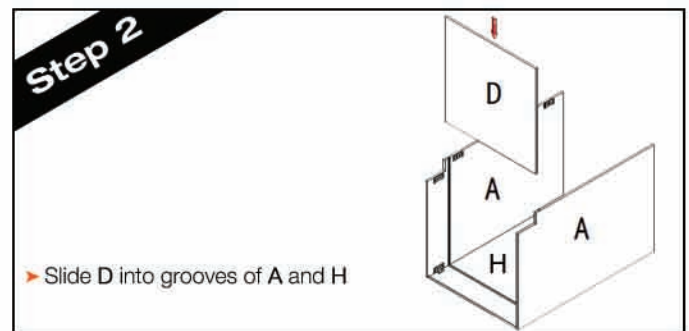
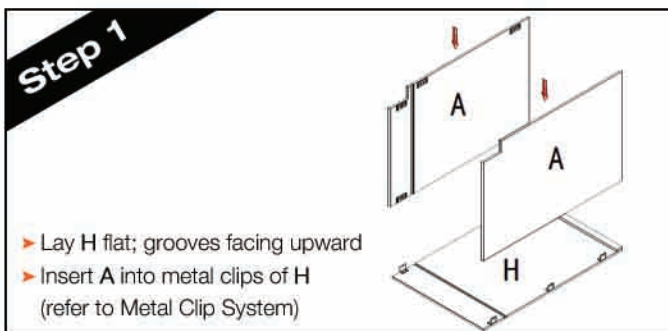
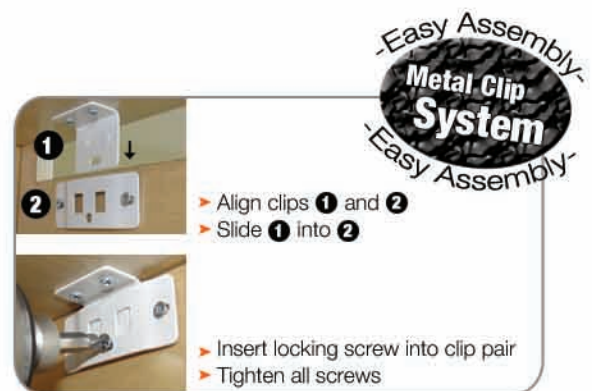


Vanity with 1 Drawer Base

Step-by-Step Assembly Instructions



Code	Item	Qty
A	R/L SIDE PANEL	2
C	DRAWER L/R SIDE PANEL	2
D	BOTTOM PANEL	1
E	DRAWER BACK PANEL	2
F	DRAWER BOTTOM PANEL	2
H	BACK PANEL	1
J	TOE KICK PLATE	1
K	DRAWER GLIDE - CABINET	4
L	DRAWER GLIDE - DRAWER	4
M	FRONT FACE	1
N	DRAWER FRONT PANEL	2
T	REAR SLIDE BRACKET	4



Flip this page for steps 5-7 →

Vanity with 1 Drawer Base

Step-by-Step Assembly Instructions



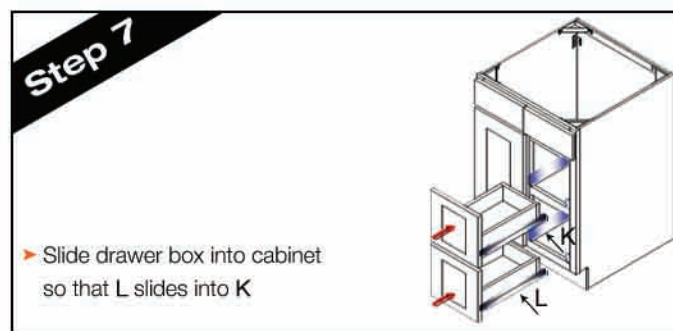
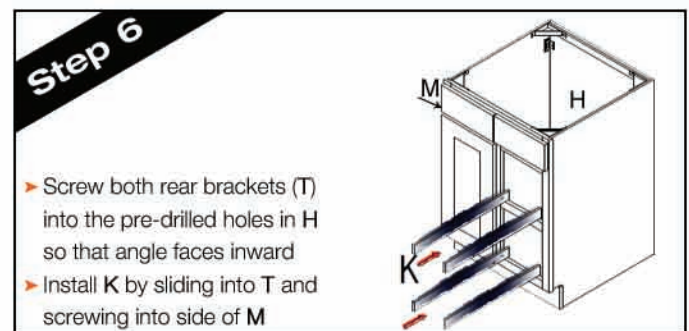
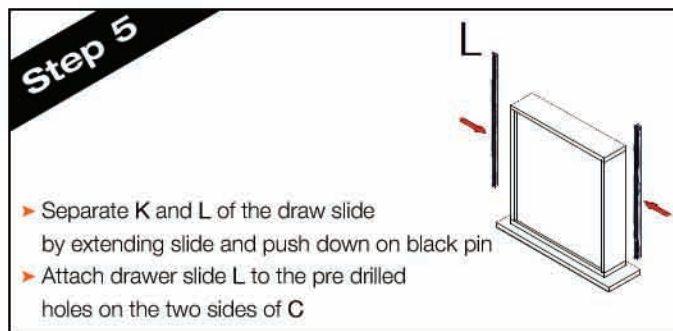
Code	Item	Qty
A	R/L SIDE PANEL	2
C	DRAWER L/R SIDE PANEL	2
D	BOTTOM PANEL	1
E	DRAWER BACK PANEL	2
F	DRAWER BOTTOM PANEL	2
H	BACK PANEL	1
J	TOE KICK PLATE	1
K	DRAWER GLIDE - CABINET	4
L	DRAWER GLIDE - DRAWER	4
M	FRONT FACE	1
N	DRAWER FRONT PANEL	2
T	REAR SLIDE BRACKET	4

-Easy Assembly-
Metal Clip System
-Easy Assembly-



- ▶ Align clips **1** and **2**
- ▶ Slide **1** into **2**

- ▶ Insert locking screw into clip pair
- ▶ Tighten all screws



Flip this page for steps 1-4 →