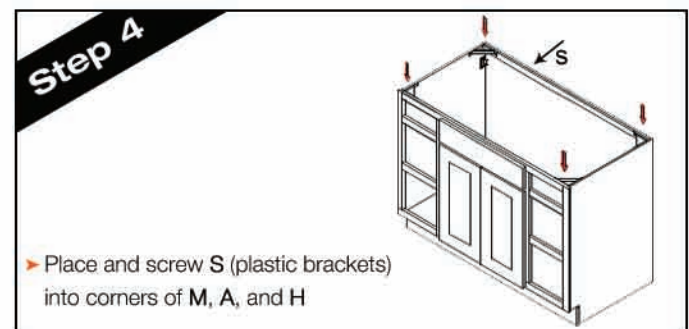
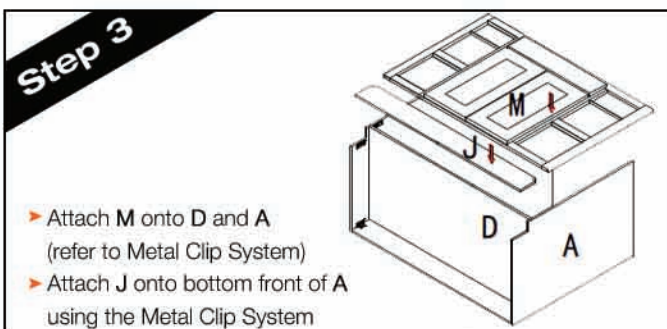
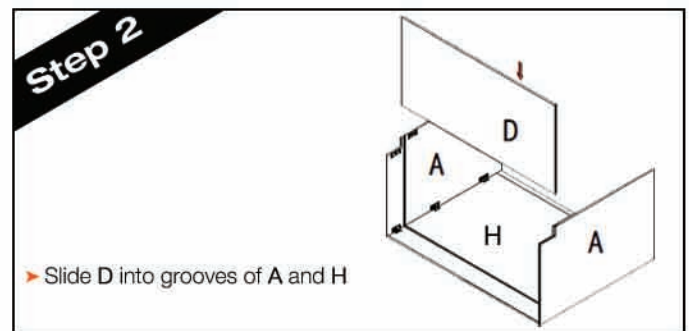
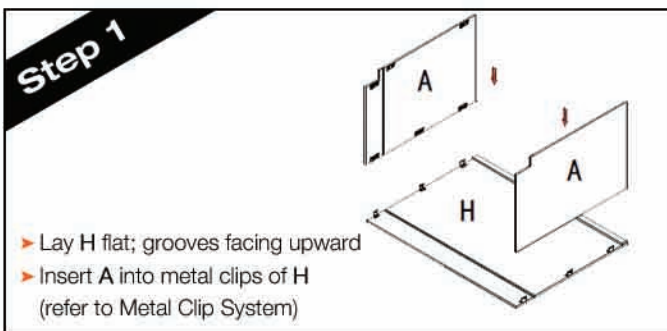
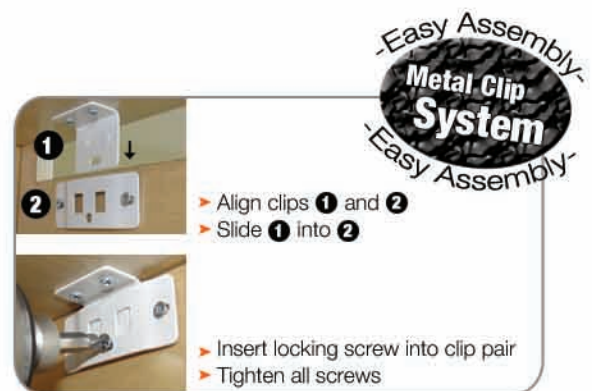


# Vanity Sink with 4-6 Drawers

## Step-by-Step Assembly Instructions



Code	Item	Qty
A	R/L SIDE PANEL	2
D	BOTTOM PANEL	1
H	BACK PANEL	1
J	TOE KICK PLATE	1
K	DRAWER GLIDE	12
M	FRONT FACE	1
N	DRAWER HEAD	6
T	REAR SLIDE BRACKET	12
V	DRAWER BOX	6



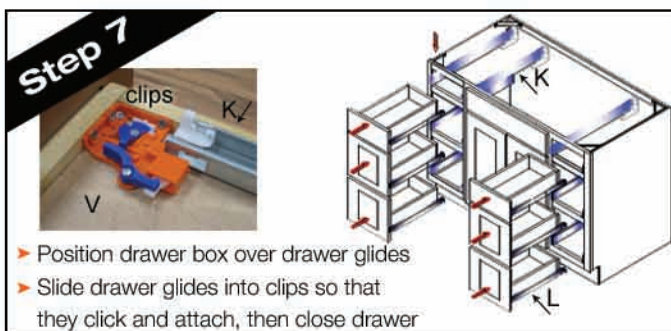
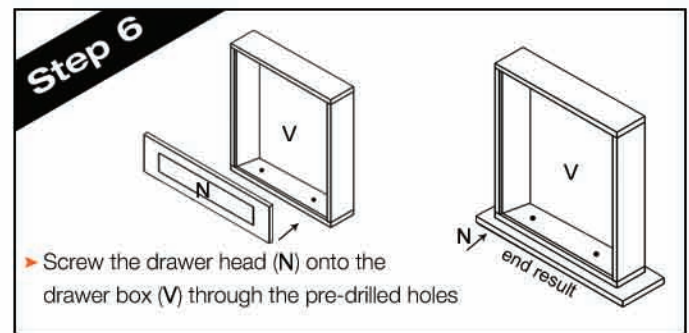
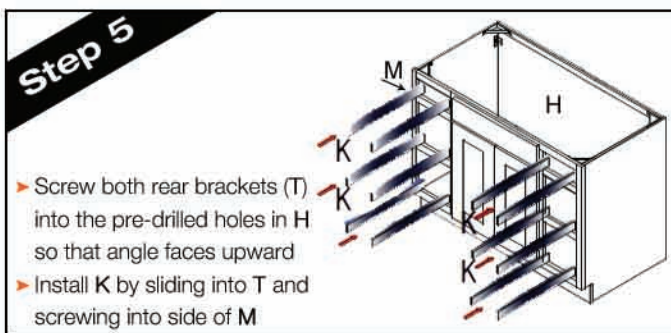
Flip this page for steps 5-7 →

# Vanity Sink with 4-6 Drawers

## Step-by-Step Assembly Instructions



Code	Item	Qty
A	R/L SIDE PANEL	2
D	BOTTOM PANEL	1
H	BACK PANEL	1
J	TOE KICK PLATE	1
K	DRAWER GLIDE	12
M	FRONT FACE	1
N	DRAWER HEAD	6
T	REAR SLIDE BRACKET	12
V	DRAWER BOX	6



Flip this page for steps 1-4 →