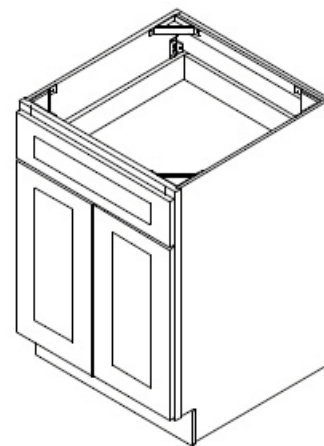


BASE CABINET 2 Door, 1 Drawer

ASSEMBLY INSTRUCTIONS

CODE	ITEM	QTY
A	Right Left Side Panel	2
D	Bottom Panel	1
G	Shelf	1
H	Back Panel	1
J	Toe Kick Plate	1
K	Drawer Glide	2
M	Front Face	1
N	Drawer Head	1
S	Support Bracket	4
T	Rear Slide Bracket	2
U	Plastic Shelf Clips	4
V	Drawer Box	1



EASY ASSEMBLY METAL CLIP SYSTEM



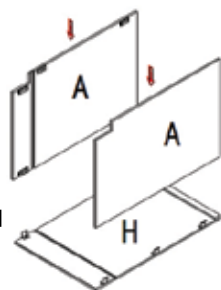
- Align Clips ① and ②
- Slide ① into ②



- Insert locking screw into clip pair
- Tighten all screws

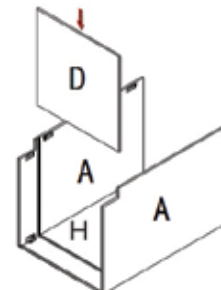
STEP 1

- Lay H flat; grooves facing upward
- Insert A into metal clips of H (refer to Metal Clip System)



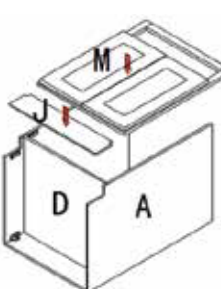
STEP 2

- Slide D into grooves of A and H



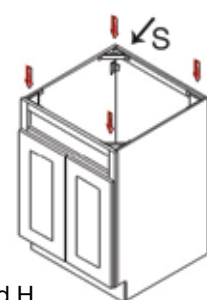
STEP 3

- Attach M onto D and A (refer to Metal Clip System)
- Attach J onto bottom front of A using the Metal Clip System



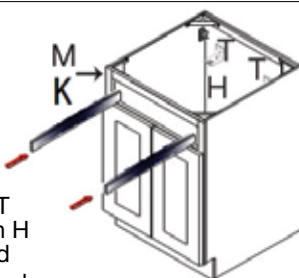
STEP 4

- Place and screw S (plastic brackets) into corners of M, A, and H



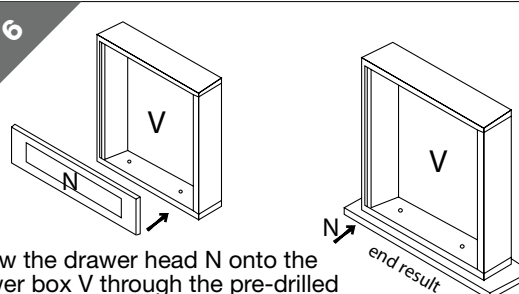
STEP 5

- Screw both rear brackets T into the pre-drilled holes in H so that angle faces upward
- Install K by sliding into T and screwing into side of M



STEP 6

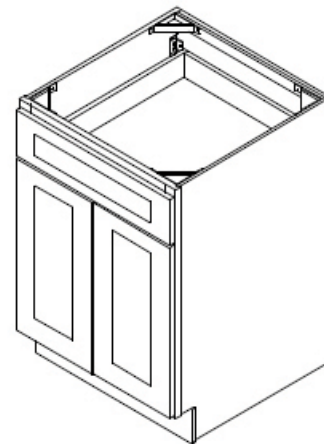
- Screw the drawer head N onto the drawer box V through the pre-drilled holes



BASE CABINET 2 Door, 1 Drawer

ASSEMBLY INSTRUCTIONS

CODE	ITEM	QTY
A	Right Left Side Panel	2
D	Bottom Panel	1
G	Shelf	1
H	Back Panel	1
J	Toe Kick Plate	1
K	Drawer Glide	2
M	Front Face	1
N	Drawer Head	1
S	Support Bracket	4
T	Rear Slide Bracket	2
U	Plastic Shelf Clips	4
V	Drawer Box	1



EASY ASSEMBLY METAL CLIP SYSTEM



- Align Clips ① and ②
- Slide ① into ②



- Insert locking screw into clip pair
- Tighten all screws

