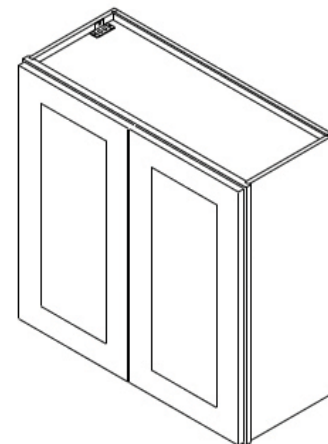


# WALL CABINET With Shelves

## ASSEMBLY INSTRUCTIONS

CODE	ITEM	QTY
A	Right   Left Side Panel	2
D	Bottom Panel	1
G	Shelf	1/2/3
H	Back Panel	1
M	Front Face	1



**EASY ASSEMBLY METAL CLIP SYSTEM**

- Align Clips ① and ②
- Slide ① into ②
- Insert locking screw into clip pair
- Tighten all screws

**STEP 1**

- Lay A flat; grooves facing up and insert both D's into metal clips of A (refer to Metal Clip System)
- Insert opposite A into metal clips of both D's

**STEP 2**

- Slide H into D Right | Left

**STEP 3**

- Attach M onto D and A so that the metal clips engage (refer to Metal Clip System)

**STEP 4**

- Screw screws through H into D Top | Bottom

**STEP 5**

- Insert shelf clips into D, slide G, and secure