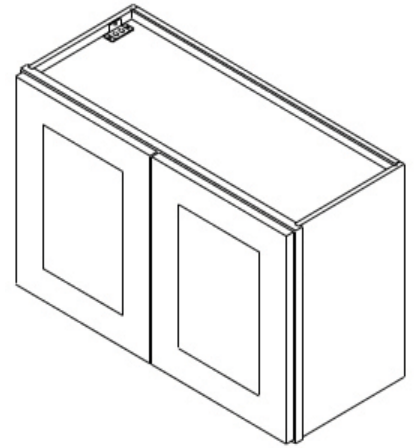


WALL CABINET Without Shelves

ASSEMBLY INSTRUCTIONS

| CODE | ITEM | QTY |
|------|-------------------------|-----|
| A | Right Left Side Panel | 2 |
| D | Bottom Panel | 2 |
| H | Back Panel | 1 |
| M | Front Face | 1 |

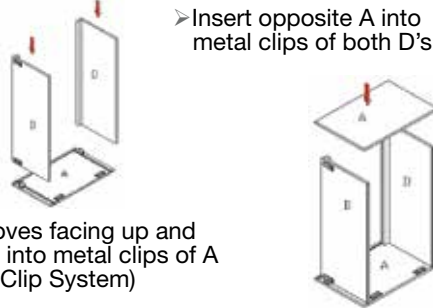


EASY ASSEMBLY METAL CLIP SYSTEM



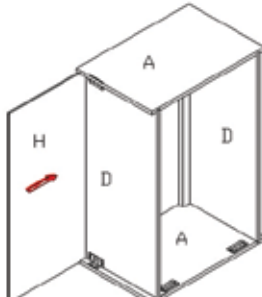
- Align Clips ① and ②
- Slide ① into ②
- Insert locking screw into clip pair
- Tighten all screws

STEP 1



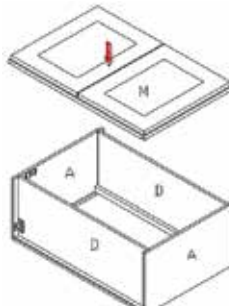
- Lay A flat; grooves facing up and insert both D's into metal clips of A (refer to Metal Clip System)
- Insert opposite A into metal clips of both D's

STEP 2



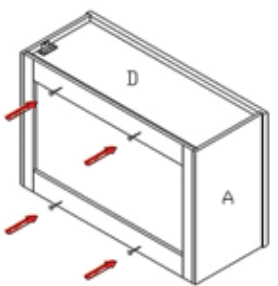
- Slide H into D Right | Left

STEP 3



- Attach M onto D and A so that the metal clips engage (refer to Metal Clip System)

STEP 4



- Screw screws through H into D Top | Bottom